

# CM<sup>®</sup>

COLUMBUS MCKINNON CORPORATION



# HOISTING PRODUCTS

**CM<sup>®</sup> HOISTS**  
[www.cmindustrial.com](http://www.cmindustrial.com)

# Hand Chain Hoists *Series 2000*

## Capacities 500 - 20000 Kg

The CM Series 2000 hand chain hoist models combine all the features in high-demand today – quality, performance and safety - at an affordable price.

- Rugged, all-steel construction.
- Extremely low, overall height allows optimal use of available headroom.
- Light weight – easy install.
- All rotating components mounted on roller or ball bearings to reduce friction and increase efficiency.
- Fully enclosed, self-activating load brake with asbestos-free friction discs.
- Fully enclosed stamped steel housing allows outdoor use.
- Surface protected steel link chain provided in accordance with national and international standards/regulations.

## Special Designs

- All models (except 500 kg) can be equipped optionally with an overload prevention device in the form of a slip clutch, which is activated at approximately 25% ( $\pm 15\%$ ) overload. Lifting of heavier loads is effectively prevented, while the lowering function is always maintained.
- Chain container available for hoists up to 5000 kg.
- Zinc plating available for applications which demand higher standards of protection against corrosion.
- All Series 2000 hand chain hoists are factory tested under overload conditions to ensure product integrity.



## Specifications

Model	Capacity / Reeving	0,5/1	1/1	2/2	3/2	5/2	10/4	20/8
Capacity	kg	500	1000	2000	3000	5000	10000	20000
Number of Chain Strands		1	1	1	2	2	4	8
Lin. Chain Length at 3 m. Std. Lift	m	3,2	3,3	3,4	6,6	6,6	13,5	27,8
Hand Chain Overhaul to Lift 1 m.	m	28	42	54	108	165	329	659
Lift per 1 m. Hand Chain Overhaul	mm	35	23	18	9	6	3	1
Pull on Hand Chain Rated Load	daN	26	36	54	41	44	46	2x46
Net Weight at Standard Lift	kg	9,0	11,2	18,0	24,7	38,7	69,2	157,4

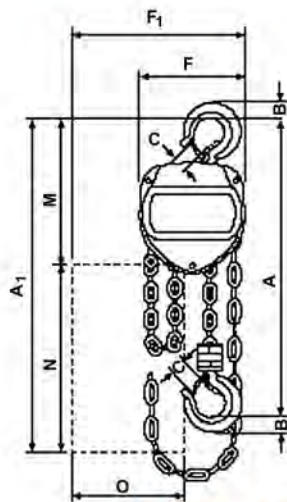
### ⚠ WARNING

Overloading and improper use can result in injury

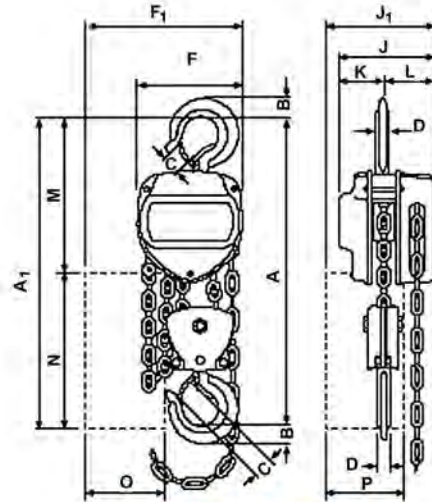
#### TO AVOID INJURY:

- Do not exceed working load limit, load rating capacity.
- Do not use to lift people or loads over people.
- Use only alloy chain for overhead lifting.
- Read and follow all instructions.

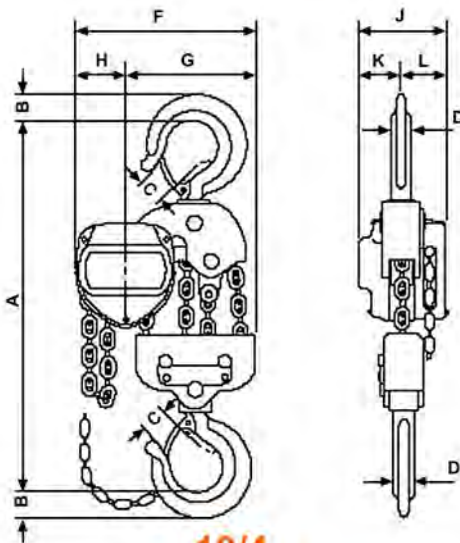
## Dimensions Series 2000



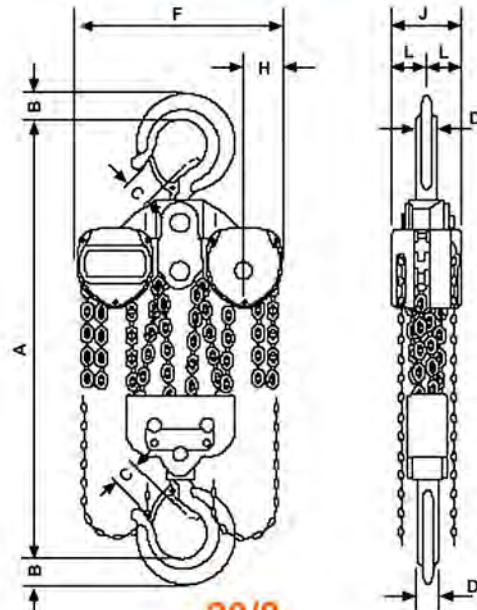
**0,5/1 1/1**



**2/2 3/2 5/2**



**10/4**



**20/8**

Dimension	A <sub>min</sub>	A <sub>1</sub>	B	C	D	F	F <sub>1</sub>	G	H	J	J <sub>1</sub>	K	L	M	N	O	P	Chain m*
0,5/1	320	455	17	29	11	125	213	-	-	115	146	51	64	195	260	140	110	12
1/1	370	484	15	30	15	147	232	-	-	125	153	57	68	224	260	140	110	12
2/2	530	491	31	34	24	147	232	-	-	125	153	57	68	231	260	140	110	12
3/2	620	596	41	37	24	183	314	-	-	142	174	68	74	286	310	200	130	12
5/2	620	644	48	43	33	215	333	-	-	163	179	79	84	334	310	200	130	10
10/4	735	-	60	52	40	360	-	252	108	163	-	79	84	-	-	-	-	-
20/8	1000	-	85	74	56	590	-	-	108	198	-	-	99	-	-	-	-	-

\*Maximum capacity of chain container

### ⚠ WARNING

Overloading and improper use can result in injury

#### TO AVOID INJURY:

- Do not exceed working load limit, load rating capacity.
- Do not use to lift people or loads over people.
- Use only alloy chain for overhead lifting.
- Read and follow all instructions.

# Series 653 Lever operated hoist

*Ideal for construction and industrial applications*

The **Series 653 lever operated hoist** is a high quality, rugged, steel tool for close quarter pulling, stretching, and hoisting applications. Its characteristic short handle, along with minimal lever pull effort, make this tool ideal for a broad range of applications.

- Impact resistant, stamped steel frame, gear case and cover for durability and light weight.
- Powder coated finish for added corrosion protection.
- Hardened steel load sharing gears.
- Double pawl arrangement for assured load control.
- Two chain guide rollers for positive chain engagement.
- Weston type braking system for positive load control and positioning.
- Simple one-handed, free chaining for fast load attachment.
- Hardened steel chain for strength and long wear life.
- Forged upper and lower hooks with heavy cast steel latches.
- Rubber handle grip for added operator comfort.
- Minimal maintenance with no special tools required.
- 5-year warranty against defects in materials and workmanship.
- Metric rated.
- Meets ASME B30.21 – Manually Lever Operated Hoist Standard and European CE Standard.
- Designed and manufactured by Columbus McKinnon Corporation.



Shipyards hooks are available for use with the Series 653 in shipbuilding and metal fabrication industries. The upper shipyard hook replaces the standard hook and easily attaches to the body of the hoist. The lower hook is furnished with a chain block for direct attachment to the load of the hoist. Shipyards hooks are excellent for positioning steel plate and fixtures during welding applications.

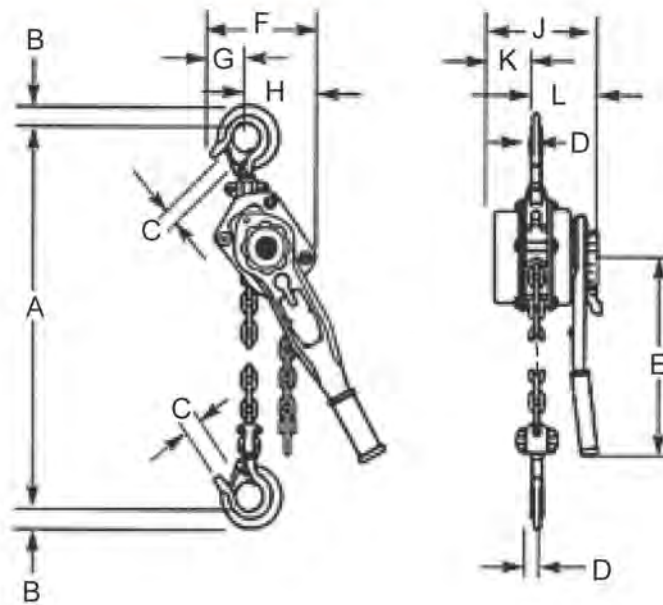
## ⚠ WARNING

Overloading and improper use can result in injury

### TO AVOID INJURY:

- Do not exceed working load limit, load rating capacity.
- Do not use to lift people or loads over people.
- Use only alloy chain for overhead lifting.
- Read and follow all instructions.

## Dimensions and Specification 653 Series



Product Code	Load Rating (tonnes)	Lift or reach (ft.)	Lever pull to lift rated load (lbs.)	Approx. ship wt. (lbs.)	A	B	C	D	E	F	G	H	J	K	L
5310	3/4	5	33	15.0	12 <sup>5</sup> / <sub>8</sub>	15/16	1 <sup>1</sup> / <sub>8</sub>	11/16	11	4 <sup>3</sup> / <sub>8</sub>	2 <sup>3</sup> / <sub>16</sub>	2 <sup>3</sup> / <sub>16</sub>	5 <sup>15</sup> / <sub>16</sub>	2 <sup>3</sup> / <sub>8</sub>	3 <sup>19</sup> / <sub>16</sub>
5315	1 <sup>1</sup> / <sub>2</sub>	5	51	27.0	14 <sup>3</sup> / <sub>16</sub>	1 <sup>1</sup> / <sub>8</sub>	1 <sup>1</sup> / <sub>4</sub>	13/16	16 <sup>1</sup> / <sub>4</sub>	4 <sup>3</sup> / <sub>8</sub>	2 <sup>3</sup> / <sub>8</sub>	2 <sup>3</sup> / <sub>8</sub>	6 <sup>7</sup> / <sub>8</sub>	3	3 <sup>15</sup> / <sub>16</sub>
5320	3	5	77	45.0	18 <sup>11</sup> / <sub>16</sub>	1 <sup>13</sup> / <sub>16</sub>	1 <sup>9</sup> / <sub>16</sub>	1 <sup>1</sup> / <sub>4</sub>	16 <sup>1</sup> / <sub>4</sub>	7 <sup>1</sup> / <sub>2</sub>	3 <sup>3</sup> / <sub>8</sub>	4 <sup>3</sup> / <sub>16</sub>	7 <sup>7</sup> / <sub>8</sub>	3 <sup>3</sup> / <sub>8</sub>	4 <sup>9</sup> / <sub>16</sub>
5330	6	5	77	78.0	23 <sup>1</sup> / <sub>4</sub>	1 <sup>13</sup> / <sub>16</sub>	2 <sup>3</sup> / <sub>16</sub>	1 <sup>1</sup> / <sub>2</sub>	16 <sup>1</sup> / <sub>4</sub>	7 <sup>1</sup> / <sub>2</sub>	3 <sup>3</sup> / <sub>8</sub>	4 <sup>3</sup> / <sub>16</sub>	7 <sup>7</sup> / <sub>8</sub>	3 <sup>3</sup> / <sub>8</sub>	4 <sup>9</sup> / <sub>16</sub>

	Capacity (ton)	Product Code	Net Wt. (lbs.)
Upper Shipyard hook	1 <sup>1</sup> / <sub>2</sub>	3315WLP	2.9
	3	3303WLP	4.9
Lower Shipyard hook	1 <sup>1</sup> / <sub>2</sub>	3415WLP	2.1
	3	3403WLP	4.8

### ⚠ WARNING

Overloading and improper use can result in injury

#### TO AVOID INJURY:

- Do not exceed working load limit, load rating capacity.
- Do not use to lift people or loads over people.
- Use only alloy chain for overhead lifting.
- Read and follow all instructions.

# Model CBT

## Plain or Geared Trolleys - Versatile, Economical, and Reliable

The smooth rolling CM Hoist CBT is the economical choice for most applications. The trolley features steel wrap around side plates, dual tread wheels and lifetime lubricated shielded ball bearing. The CBT model by CM Hoist is available in plain and geared models.

- **Capacities** – Rated loads from ¼ to 5 Ton (Metric Rated). In plain and geared models.
- **Economical** – Excellent low cost choice for manual and powered hoists.
- **Rugged** – Designed to provide superior performance and long, efficient service.
- **Low Rolling Effort** – Geared models have standard 6-foot hand chain drop. Other hand chain drops available.
- **Universal Hanging Clevis** – Accepts most hook mounted hoists.
- **Adjustable** – Trolley easily adjusts to fit any beam flange within range of adjustment, up to 8.7" flange width.
- **Wrap-Around Side Plates** – Lugs provide additional security to increase operator safety and act as bumpers to protect wheels.
- **Dual Tread Wheels** – Will fit either tapered or flat beam flange within range of adjustment. Wheels include permanently lubricated, shielded ball bearing for long life and low maintenance.
- **Lifetime Warranty**



CBTP  
(Plain Trolley)  
1 to 2 Ton



CBTG  
(Geared Trolley)  
1 to 5 Ton

### Specification

Capacity* (Ton)	Model Number**	Standar Beam Heigh(In.)	I-Beam Width (In.)	Minimum Radius Curve (In.)	Wheel Tread Diameter (In.)	Wt. (Lb.)
1	CBTP(G)-0100	5-24	2.3-8.7	36	2.36	26
2	CBTP(G)-0200	6-24	2.3-8.7	45	3.15	46
3	CBTG-0300	8-24	3.0-8.7	55	4.41	86
5	CBTG-0500	10-24	3.5-8.7	70	4.92	130

\* Metric Rated

\*\* When ordering specify "P" for plain trolley or "G" for geared trolley

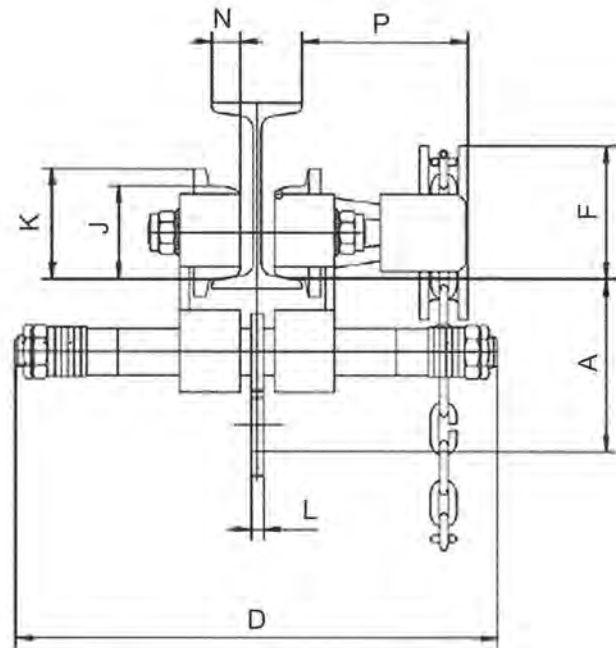
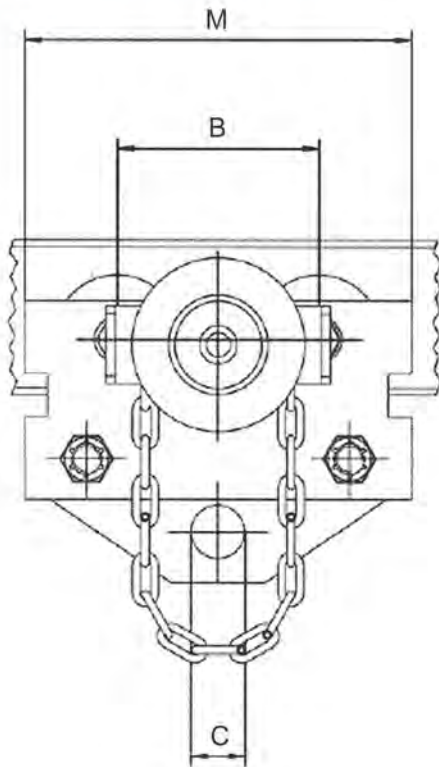
### ⚠ WARNING

Overloading and improper use can result in injury

#### TO AVOID INJURY:

- Do not exceed working load limit, load rating capacity.
- Do not use to lift people or loads over people.
- Use only alloy chain for overhead lifting.
- Read and follow all instructions.

## Dimensions Model CBT



Clearance Dimensions (In.)

Capacity (Ton)	A	B	C	D	CBTG F	J	K	CBTG K	L	M	N	CBTG P
1	4.33	5.12	1.38	12.20	3.60	2.36	2.83	3.03	.31	9.84	.71	4.33
2	5.12	5.91	1.89	12.60	3.56	3.15	3.78	3.86	.47	11.81	.79	4.33
3	6.18	7.09	2.36	13.39	4.23	4.41	5.20	5.24	.55	14.57	1.17	4.33
5	7.09	8.23	2.76	13.78	5.89	4.91	5.63	5.87	.79	17.32	1.26	4.33

### ⚠ WARNING

Overloading and improper use can result in injury

#### TO AVOID INJURY:

- Do not exceed working load limit, load rating capacity.
- Do not use to lift people or loads over people.
- Use only alloy chain for overhead lifting.
- Read and follow all instructions.



**Columbus McKinnon Corporation**

140 John James Audubon Parkway  
Amherst, NY 14228  
Phone: (800) 888-0985 or (716) 689-5400  
Fax: (716) 689-5644

[www.cmindustrial.com](http://www.cmindustrial.com)



**PT. Bintang Timur Abadi**

Ruko Puri Mutiara Blok A No.131  
Jl.Griya Utama Sunter Agung  
Jakarta - Utara 14350, Indonesia  
Ph: (+6221) 653 109 11 - 15  
Fax: (+6221) 653109 16

[info@bimura.com](mailto:info@bimura.com)

[www.bimura.com](http://www.bimura.com)